

STOPPER ROD DRIVE

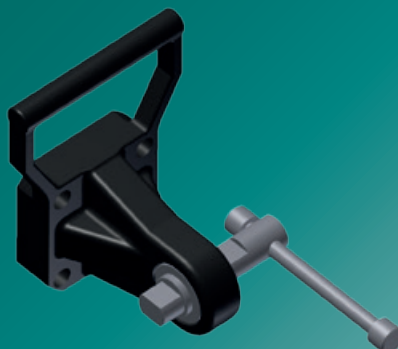
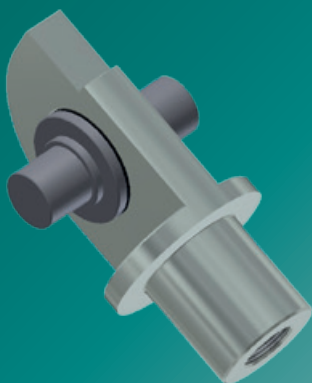
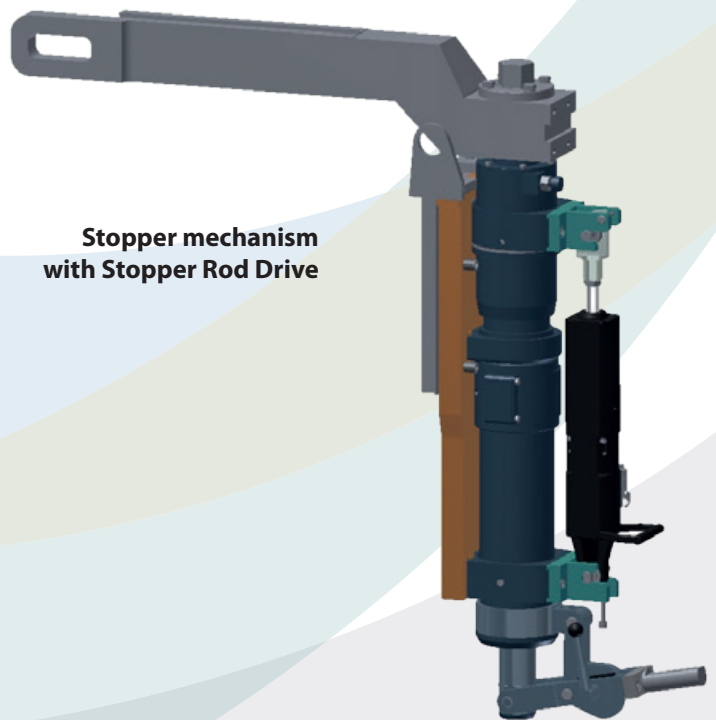
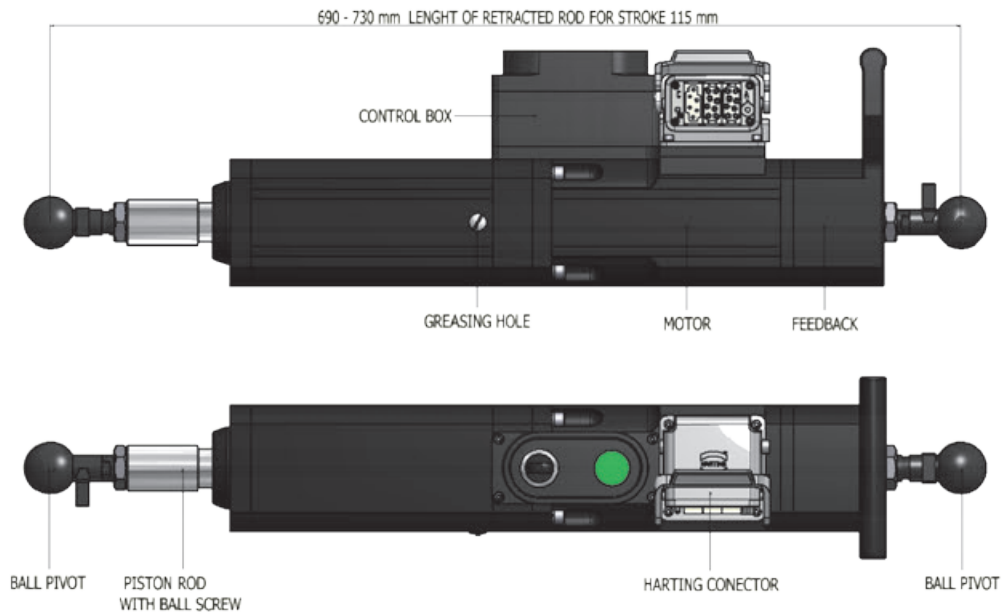
FEATURES AND BENEFITS

- ▶ Robust actuator for heavy industries
- ▶ Only electrical connections
- ▶ Not self-locking
- ▶ Low weight
- ▶ Low force needed for movement in hand mode
- ▶ Flange and handle on customer's request
- ▶ Fast and easy connection to stopper
- ▶ Industrial connector for connection to servodrive
- ▶ Possible to assembly by absolute or relative feedback
- ▶ Unique identification for operation & maintenance purpose is possible
- ▶ Thermo resistor is implemented

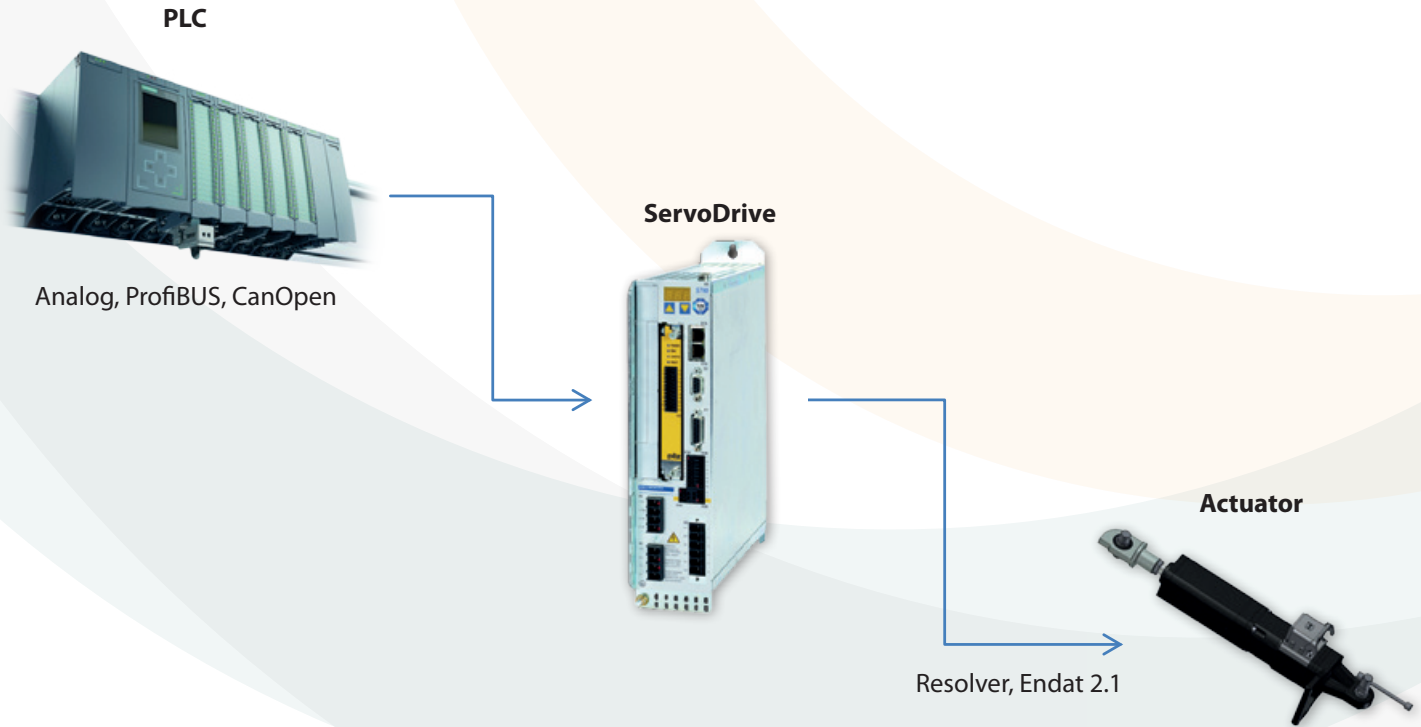
Name	Label	Value	Unit
Continuous Force Rating	Fn	3 756	N
Peak Force	Fp	10 000	N
Nominal speed	v	500	mm/s
Minimal force in hand mode		130	N
Stroke		115	mm
Protection		IP 64	
Temperature range		-20 ÷ +90	°C
Power		1.91	kW
Weight		15	Kg

Name	Label	Value	Unit
Rated Speed	nn	3000	m ⁻¹
Nominal AC Voltage	Un	380	V
Rated Torque	Mn	6,1	Nm
Rated AC Current	In	5,14	A





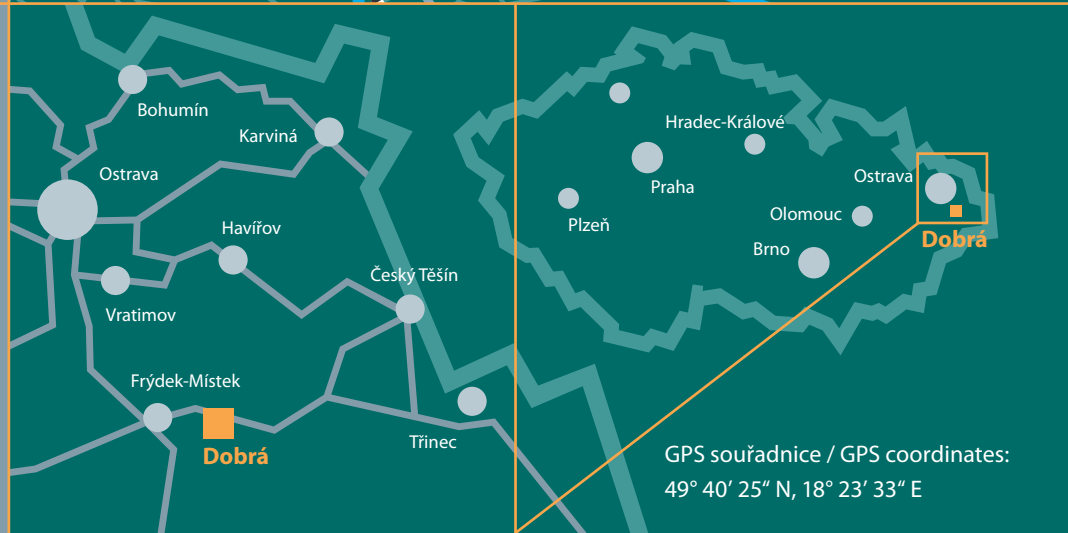
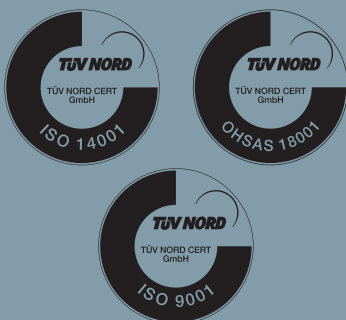
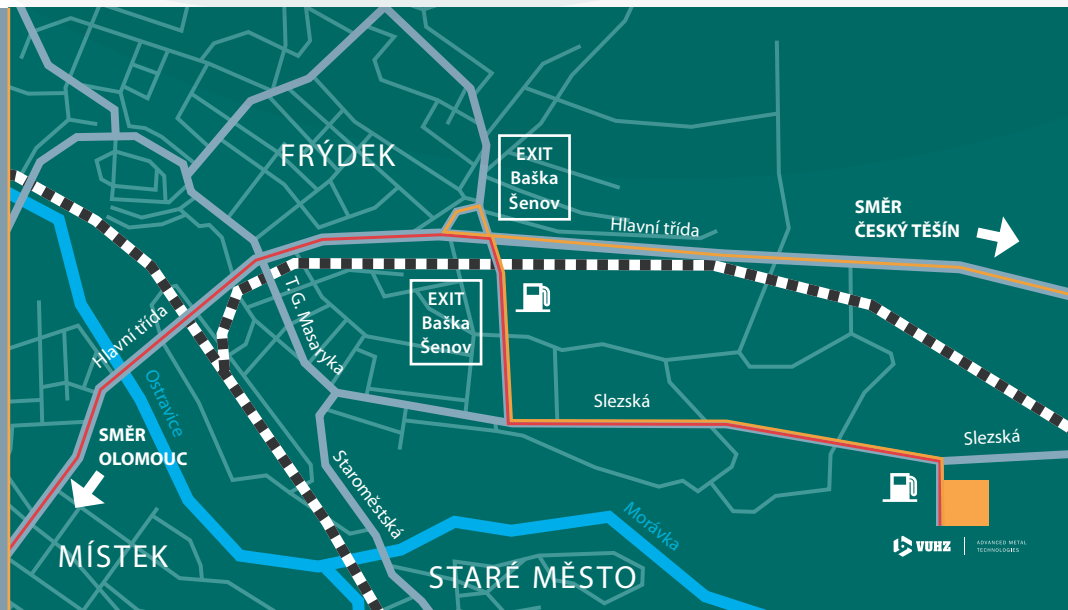
EXAMPLE OF CONNECTION WITH S700 DANAHER STOPPER ROD DRIVE



ADVANCED METAL TECHNOLOGIES

Contacts:

VÚHŽ a.s., Automation Division
 739 51 Dobrá 240, Czech Republic
 phone: +420 558 601 281
 fax: +420 558 601 280
 e-mail: level@vuhz.cz
 www.vuhz.cz
 www.vuhz.com
 www.vuhz.eu



GPS souřadnice / GPS coordinates:
 49° 40' 25" N, 18° 23' 33" E